



**Open Source
Compliance Tool Chain**

Meeting May 6th 2019: Open Chain

OSS Compliance Tool Chain

- 1 General description
- 2 Big Picture
- 3 Specific Elements
- 4 Resources

OSS Compliance Tool Chain

1 General description

2 Big Picture

3 Specific Elements

4 Resources

OSS Compliance Tool Chain why the OSS way

- a** Compliance is required by law
- b** We have a huge network of suppliers / their deliverables must be license compliant
- c** The compliance workflow / process needs to be part of the development / CI/CD process
- d** The tools need to be “orchestrable” as needed as well as adaptable as needed
- e** Budget constraints for license compliance work are given at all companies
- f** Installed legacy

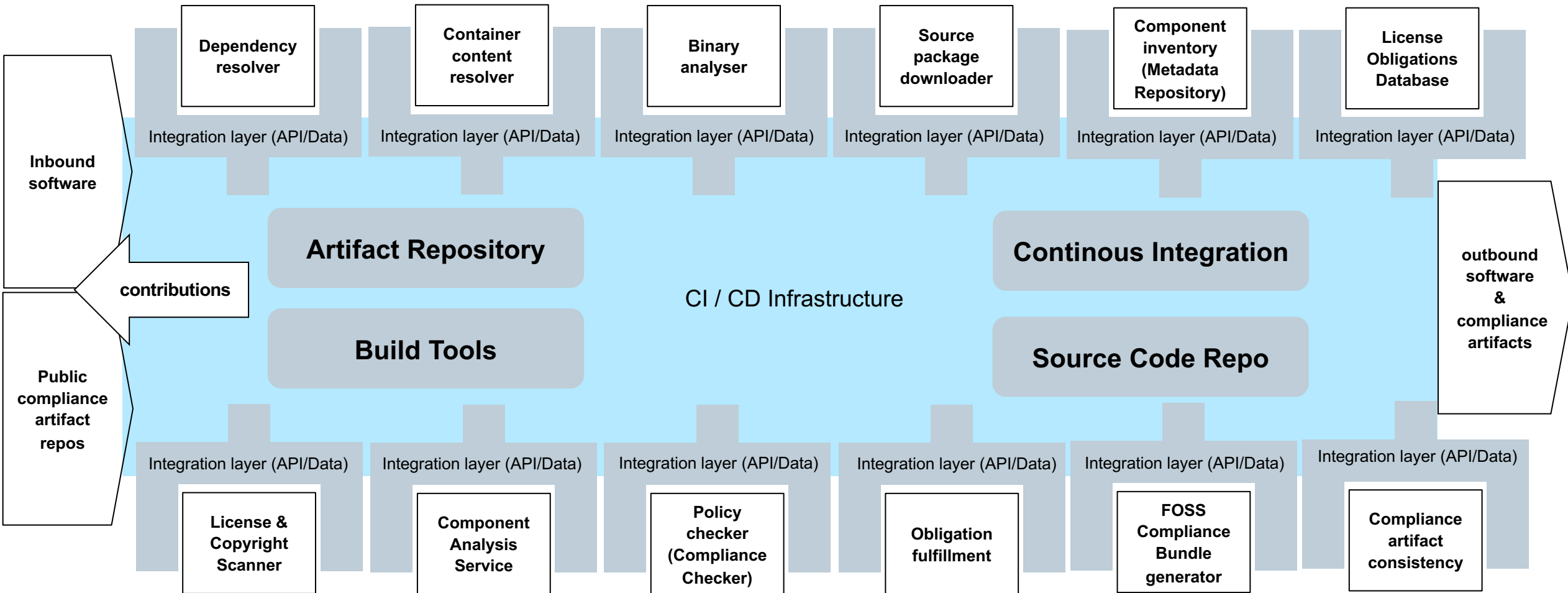
The only approach which copes with all constraints is an OSS based compliance toolchain

The Project “Sharing Creates Value”

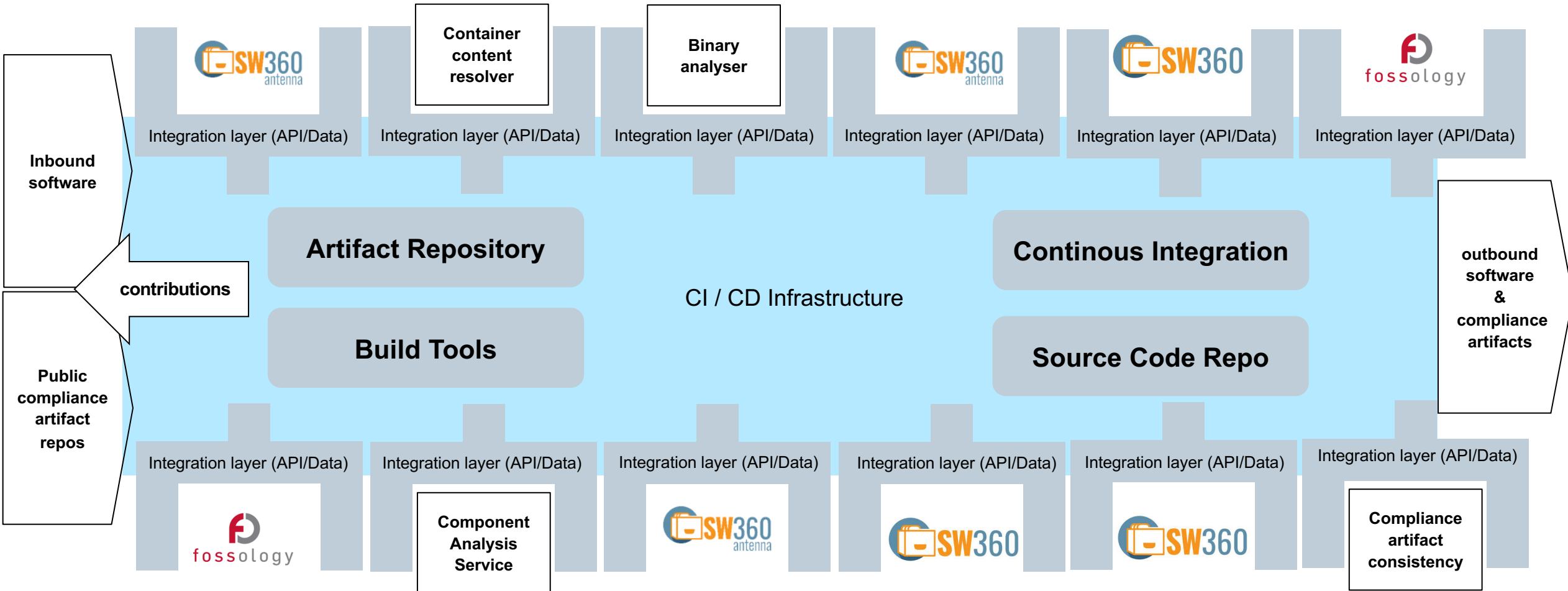
- a** “This repo realizes the idea that Open Source Software (OSS) compliance activities will be less expensive by applying OSS principles”
- b** Sharing OSS compliance artifacts
- c** “Combining the existing tools to an integrated OSS Compliance Tool Chain”

<https://github.com/Open-Source-Compliance/Sharing-creates-value>

Big Picture – Integrated Compliance Toolchain



Big Picture – Integrated Compliance Toolchain Instance



Conclusion and Plans

- a** Define and describe most relevant use cases
- b** Define a suited data model for implementing the use cases
- c** Define the interfaces to implement the use cases
- d** Implement use cases

Let's build an OSS compliance tool chain together, this is no differentiating business element – it is simply required by law